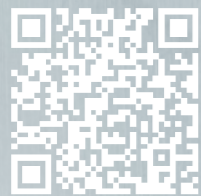


SIMPLE

SIMPLE



Simple Medical (Shenzhen) Limited

Add: 519 Wisdom Valley, No.1010 Bulong Road, Minzhi Street, Longhua District,
Shenzhen, China. 518131

Web: www.simplemedical.cn

www.simplegroup.net

Email: simon@simplegroup.net

Tel: +86-755-86038596

Orthopedic Braces

SIMPLE

Make it Simple



CONTENTS

OA Solutions	06
SIMPLE Premium OA Knee Brace S2	08
SIMPLE OA Knee Sleeve X1	09
SIMPLE Dual Upright OA Knee Brace M1	10
Injury Solutions	12
Lower Extremity	
Knee	14
Hip	19
Ankle & Foot	20
Upper Extremity	
Elbow	24
Arm & Shoulder	25
Wrist & Thumb	30
Spine Orthosis	32

SIMPLE



ABOUT US

Formed by a dedicated team with over 20 years of accumulated experience and based on an ISO13485 factory, Simple Medical is a manufacturer located in southern China, focused on research, development, production, and sales of orthopedic braces.

Our state-of-the-art rehabilitation products line, typically represented by our SIMPLE brand, is featured in the lightweight human engineering design concept, better reliability and user experience, exquisite craftsmanship, supplied as higher-end China-made braces to the global market. The complete product series covers the overall body joints, including OA solutions, and injury solutions for upper and lower extremities and spine.

In China, we also distribute physical therapy and sports therapy products from international trusted brands, helping domestic patients with more comprehensive solutions in the field of orthopedic rehabilitation.

Our goal is simple:

To supply bracing products with reliable quality and efficient service, help our distributors boost their market, and enable end-users to restore their daily life.

Towards the goal, our excellent R&D team put sufficient innovations and tests into each product to ensure its liability with proven better results. Our production team keeps pushing the boundary of quality to a higher level.

History

- | | | |
|------|-----------|---|
| 2006 | Hong Kong | R&D and sale of Medical device accessories. |
| 2009 | Shenzhen | R&D, manufacture and sale of Medical devices in China Mainland. |
| 2011 | Dongguan | Extend production base for Orthopedic braces to 10,000 square meters. |
| 2012 | China | Start to set up sports medicine clinical training bases and product development with hospitals. |
| 2016 | Shenzhen | Official authorization of SIMPLE trademark. |
| 2017 | Nanjing | Establishment of Domestic marketing center. |
| 2019 | China | Council Member of China Association of Assistive Products. |
| 2020 | Dongguan | Startup of a 30,000 square meters Simple Medical Industrial Park. |
| 2020 | China | Rated as one of the National High-tech Enterprise |
| 2023 | Shenzhen | Recognized as an Innovative Enterprise |

SIMPLE



+ OA SOLUTIONS

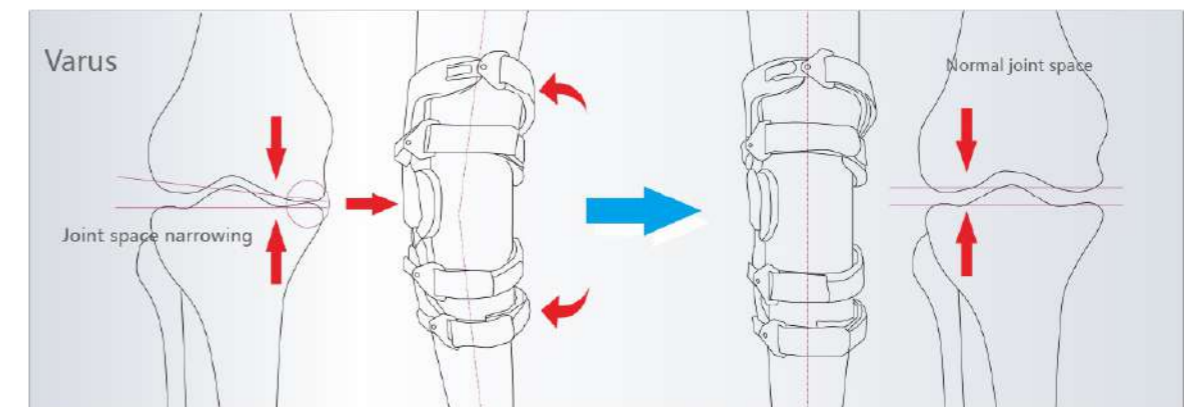
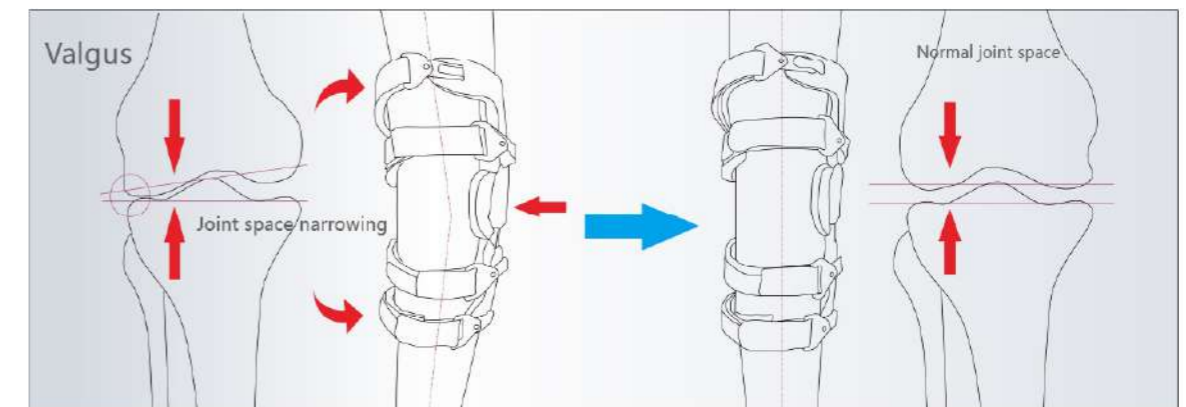
Osteoarthritis(OA) is the most common form of arthritis. Some people call it a degenerative joint disease or “wear and tear” arthritis. It occurs most frequently in the knees, as the knee joint is an important support column of the human body, bearing 70% of the weight of the upper body.

With OA, the cartilage within a joint begins to break down and the underlying bone begins to change. These changes usually develop slowly and get worse over time.

OA can cause pain, stiffness, and swelling. In some cases, it also causes reduced function and disability. Some people are no longer able to do daily tasks or work.

Earlier treatment intervention may improve the odds of preserving joint integrity and function for years, or even a lifetime, which can stave off debilitating pain and the possible need for joint replacement surgery.

Simple Medical has a series of OA knee braces, to help manage OA and improve the quality of life.



SIMPLE PREMIUM OA KNEE BRACE S2

LOW PROFILE • SUPERIOR QUALITY • LIGHT WEIGHT

FEATURES

- One-step closure system
- Double adjustable hinge for even pressure and better comfort
- Aerospace-grade aluminum & High-tenacity polymer frame
- Comfortable pads with non-slip
- Adjustable range of motion
 - extension:0°, 5°, 15°, 20°,and 25°
 - flexion:0°, 30°, 45°, 60°, 75°,and 90°
- Unique varus/valgus angle adjustment, range +/- 40°

INDICATIONS

- Mild to moderate unicompartmental knee osteoarthritis
- Medial or lateral compartment
- Post-surgery cartilage or meniscus treatments
- Stabilization of ligament

MODELS

Description	Part No.
SIMPLE Premium OA Knee Brace S2 Left	11007
SIMPLE Premium OA Knee Brace S2 Right	11011

SIZE

- Universal size

PATENT INFORMATION

- Design Patent NO: 2017300948954
- Utility Model Patent NO: 2017203907486
- Utility Model Patent NO: 2017203907490



SIMPLE OA KNEE SLEEVE X1

MAXIMUM COMFORT • SUPERIOR QUALITY

FEATURES

- Double adjustable hinge for even pressure and better comfort
- Comfortable breathable material
- Adjustable range of motion
 - extension:0°, 5°, 15°, 20°,and 25°
 - flexion:0°, 30°, 45°, 60°, 75°,and 90°
- Unique varus/valgus angle adjustment, range +/- 40°

INDICATIONS

- Mild to moderate unicompartmental knee osteoarthritis
- Medial or lateral compartment
- Post-surgery cartilage or meniscus treatments
- Stabilization of ligament

MODELS

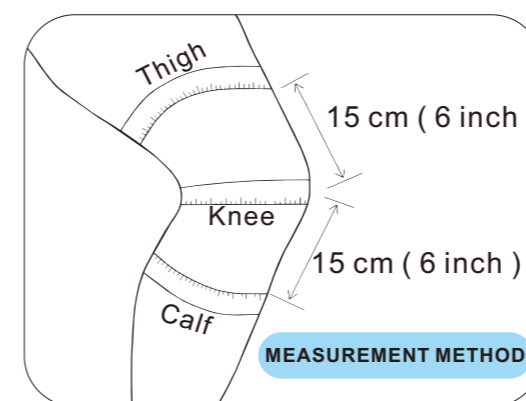
Description	Part No.
SIMPLE OA Knee Sleeve X1 Left	11005
SIMPLE OA Knee Sleeve X1 Right	11006

PATENT INFORMATION

- Utility Model Patent NO: 2017203907486

SIZE

SIZE	THIGH	KNEE	CALF
S	15.5 - 18.5" (39 - 47 cm)	13 - 14" (33 - 35.5 cm)	12 - 14" (30.5 - 35.5 cm)
M	18.5 - 21" (47 - 53.25 cm)	14 - 15" (35.5 - 38 cm)	14 - 16" (35.5 - 40.5 cm)
L	21 - 23.5" (53.25 - 59.5 cm)	15 - 17" (38 - 43 cm)	16 - 18" (40.5 - 47 cm)
XL	23.5 - 26.5" (59.5 - 67.25 cm)	17 - 19" (43 - 48.25 cm)	18 - 20" (47 - 50.75 cm)
XXL	26.5 - 29.5" (67.25 - 75 cm)	19 - 21" (48.25 - 53.25 cm)	20 - 22" (50.75 - 56 cm)



SIMPLE DUAL UPRIGHT OA KNEE BRACE M1

LOW PROFILE • SUPERIOR QUALITY • LIGHT WEIGHT

INDICATIONS

- Mild to severe unicompartmental osteoarthritis
- Medial or lateral compartment
- ACL, MCL, PCL, and LCL damage or deficiency
- Treatment of combined ligament instabilities
- Support for surgical repairing

Movable thigh-fit design

Comfortable non-slip padding

Bilateral hinge adjustment

Unique varus/valgus angle adjustment, range +/- 40°

Adjustable range of motion
 -extension: 0°, 5°, 15°, 20°, and 25°
 -flexion: 0°, 30°, 45°, 60°, 75°, and 90°

One-step closure system



Bilateral hinge adjustment provides the ability to adjust the correct forcing angle to achieve a normal gait by optimal correction leverage



MODELS

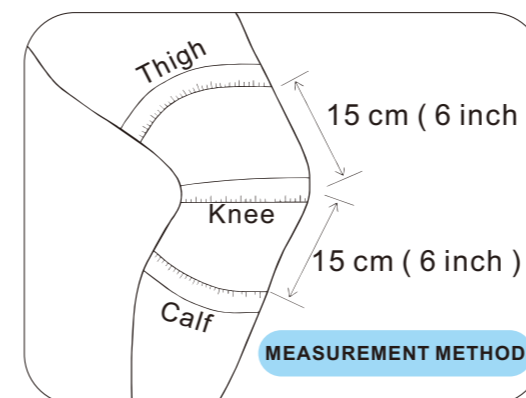
Description	Part No.
SIMPLE Dual Upright OA Knee Brace M1 Left	11018
SIMPLE Dual Upright OA Knee Brace M1 Right	11019

PATENT INFORMATION

- Utility Model Patent NO: 2020208609752
- Utility Model Patent NO: 2022224735071

SIZE

SIZE	THIGH	KNEE	CALF
S	15.5 - 18.5" (39 - 47 cm)	13 - 14" (33 - 35.5 cm)	12 - 14" (30.5 - 35.5 cm)
M	18.5 - 21" (47 - 53.25 cm)	14 - 15" (35.5 - 38 cm)	14 - 16" (35.5 - 40.5 cm)
L	21 - 23.5" (53.25 - 59.5 cm)	15 - 17" (38 - 43 cm)	16 - 18" (40.5 - 47 cm)
XL	23.5 - 26.5" (59.5 - 67.25 cm)	17 - 19" (43 - 48.25 cm)	18 - 20" (47 - 50.75 cm)





+ INJURY SOLUTIONS

Orthopedic injury is one of the major issues in injuries. It can be caused by various causes, such as overload sports, improper way of exercise, overweight, accidents, arthritis, etc.

Many complications come with orthopedic injuries: pains, weakness, decreased range of motion and flexibility, and reduced strength.

Without proper treatments, it leads to the inability to perform functional, vocational, and recreational activities.

Simple Medical offers a full range of orthopedic braces and supports for orthopedic injuries.

Featured with clean design, specialized materials, superior quality, and fair prices for our distributors.

Our products help increase stability, enable activity, provide comfort and reinforcement, relieve pains, and effectively contribute to rehabilitation from injuries.



SIMPLE DUAL UPRIGHT KNEE BRACE H1

LOW PROFILE • SUPERIOR QUALITY

FEATURES

- One-step closure system
- Aerospace grade aluminum frame
- Comfortable pads with non-slip
- Adjustable range of motion
 - extension:0°, 5°, 15°, 20°,and 25°
 - flexion:0°, 30°, 45°, 60°, 75°,and 90°

INDICATIONS

- Stabilization of ACL, MCL, PCL, LCL
- Treatment of combined ligament instabilities
- Protection for surgical repairs
- Conservative treatment of ligament damage or deficiency
- Prophylactic bracing for athletic activities

MODELS

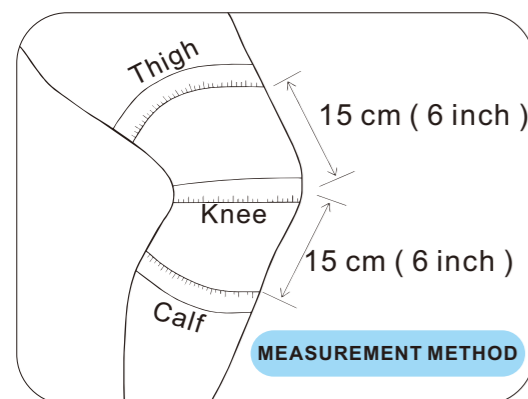
Description	Part No.
SIMPLE Dual Upright Knee Brace H1 Left	11003
SIMPLE Dual Upright Knee Brace H1 Right	11004

PATENT INFORMATION

- Design Patent NO: 2018305653766
- Utility Model Patent NO: 2018202895414
- PCT NO: PCT/CN2018/079081

SIZE

SIZE	THIGH	KNEE	CALF
S	15.5 - 18.5" (39 - 47cm)	13 - 14" (33 - 35.5cm)	12 - 14" (30.5 - 35.5cm)
M	18.5 - 21" (47 - 53.25cm)	14 - 15" (35.5 - 38cm)	14 - 16" (35.5 - 40.5cm)
L	21 - 23.5" (53.25 - 59.5 cm)	15 - 17" (38 - 43 cm)	16 - 18" (40.5 - 47cm)
XL	23.5 - 26.5" (59.5 - 67.25cm)	17 - 19" (43 - 48.25 cm)	18 - 20" (47 - 50.75 cm)



SIMPLE DUAL UPRIGHT KNEE BRACE H2

LOW PROFILE • SUPERIOR QUALITY

FEATURES

- One-step closure system
- Aerospace grade aluminum frame
- Comfortable pads with non-slip
- Adjustable range of motion
 - extension:0°, 5°, 15°, 20°,and 25°
 - flexion:0°, 30°, 45°, 60°, 75°,and 90°

INDICATIONS

- Stabilization of ACL, MCL, PCL, LCL
- Treatment of combined ligament instabilities
- Protection for surgical repairs
- Conservative treatment of ligament damage or deficiency
- Prophylactic bracing for athletic activities

MODELS

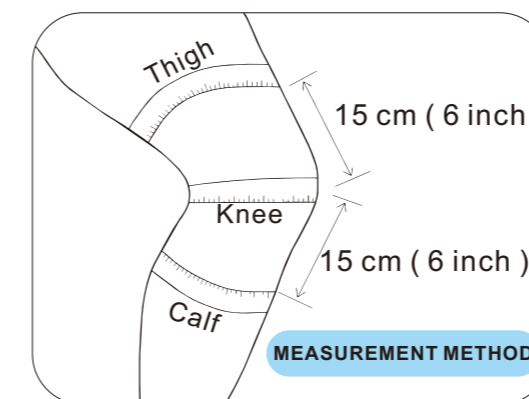
Description	Part No.
SIMPLE Dual Upright Knee Brace H2 Left	11012
SIMPLE Dual Upright Knee Brace H2 Right	11013

PATENT INFORMATION

- Design Patent NO: 2018305653766
- Utility Model Patent NO: 2018202895414
- PCT NO: PCT/CN2018/079081

SIZE

SIZE	THIGH	KNEE	CALF
S	15.5 - 18.5" (39 - 47cm)	13 - 14" (33 - 35.5cm)	12 - 14" (30.5 - 35.5cm)
M	18.5 - 21" (47 - 53.25cm)	14 - 15" (35.5 - 38cm)	14 - 16" (35.5 - 40.5cm)
L	21 - 23.5" (53.25 - 59.5 cm)	15 - 17" (38 - 43 cm)	16 - 18" (40.5 - 47cm)
XL	23.5 - 26.5" (59.5 - 67.25cm)	17 - 19" (43 - 48.25 cm)	18 - 20" (47 - 50.75 cm)



SIMPLE KNEE BRACE H4 PCL

LOW PROFILE • SUPERIOR QUALITY

SIMPLE KNEE BRACE H4 PCL is a clinically validated product that is typically used for the treatment of posterior cruciate ligament (PCL) injuries and postoperative rehabilitation.

Knee



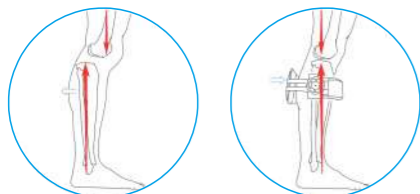
Posterior support plate

Correct and stabilize tibia position
Comfortable non-slip padding



Single-sided knob design

Precise adjustment and easy operation to suit each patient



Before
Instability of the knee following rupture of the posterior cruciate ligament

After
Posterior support plate holds tibia in the desired position

SIZE

SIZE	THIGH	KNEE	CALF
S	15.5 - 18.5" (39 - 47cm)	13 - 14" (33 - 35.5cm)	12 - 14" (30.5 - 35.5cm)
M	18.5 - 21" (47 - 53.25cm)	14 - 15" (35.5 - 38cm)	14 - 16" (35.5 - 40.5cm)
L	21 - 23.5" (53.25 - 59.5cm)	15 - 17" (38 - 43cm)	16 - 18" (40.5 - 47cm)
XL	23.5 - 26.5" (59.5 - 67.25cm)	17 - 19" (43 - 48.25cm)	18 - 20" (47 - 50.75cm)



Double-axis hinge

Conforms to the trajectory of the knee joint for a secure fit and easy wearing



Adjustable range of motion

Accurately control flexion and extension angle
-Extension: 0°, 5°, 15°, 20°, and 25°
-Flexion: 0°, 30°, 45°, 60°, 75°, and 90°



One-step closure system

Quick donning and easy removal

MODELS

Description	Part No.
SIMPLE Knee Brace H4 PCL Left	11049
SIMPLE Knee Brace H4 PCL Right	11050

SIMPLE PREMIUM POST-OP KNEE BRACE K1

LIGHT WEIGHT • EASY FIT • MULTI-ADJUSTABILITY

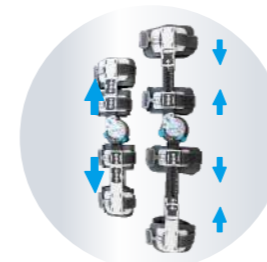
Secure and Comfortable:
Anti-slip Pads for Stability



Quick One-step-closure
Buckles for Easy Use



Enhanced Sliding Mechanism
for Adjustable Length



Precise ROM Protection
with Locking



Press the Button to Slide



Trimnable Straps with
Alligator Tabs for Perfect Fit



INDICATIONS

- ACL, PCL, MCL, LCL repairs/injuries
- Tibial plateau fractures
- Meniscal repairs
- Osteochondral repairs
- Patella tendon repairs
- Condylar fractures
- Sprains/strains of the knee
- HTOs (High Tibial Osteotomy)

MODELS

Description	Part No.
SIMPLE Premium Post-Op Knee Brace K1	11014

SIZE

- Universal size

ADJUSTMENT PARAMETERS

- Broader adjustable Range of Motion
10°~90° extension range
0°~120° flexion range
- Telescoping hinge lengths between
18.3~27.2"(46.6~68.9cm) to fit most patients

PATENT INFORMATION

- Utility Model Patent NO: 201921568231.7
- Utility Model Patent NO: 202121168827.5

Knee

Knee



SIMPLE Post-Op Knee Brace K2

FEATURES

- Broader adjustable Range of Motion
 - 10°~90° extension range
 - 0°~120° flexion range
- Sliding Mechanism design simplify the settings in lengths & ROM
- Quick lock buttons to keep the settings at one simple click

INDICATIONS

- ACL, PCL, MCL, LCL repairs/injuries
- Tibial plateau fractures
- Meniscal repairs
- Osteochondral repairs
- Patella tendon repairs
- Condylar fractures
- Sprains/strains of the knee
- HTOs (High Tibial Osteotomy)

MODELS

Description	Part No.
SIMPLE Post-Op Knee Brace K2, S	11015
SIMPLE Post-Op Knee Brace K2, L	11015

SIZE

- Short, Long



Knee Immobilizer K3

FEATURES

- Lightweight malleable stays
- Breathable material

INDICATIONS

- Fixation of knee ligament strain
- Meniscus injury fixation
- Fixation of patella fracture
- Postoperative rehabilitation

MODELS

Description	Part No.
Knee Immobilizer K3	11016

SIZE

- S, M, L

Knee Immobilizer K4

FEATURES

- 3-piece adjustable design
- 3-panel immobilization
- Lightweight malleable stays
- Breathable material

INDICATIONS

- Fixation of knee ligament strain
- Meniscus injury fixation
- Fixation of patella fracture
- Postoperative rehabilitation

MODELS

Description	Part No.
Knee Immobilizer K4	11022

SIZE

- S, M, L

Measurement method	Size	S	M	L
	Thigh circumference	≤32"	≤32"	≤32"
	Brace length	20"	22"	24"

SIMPLE Hip Brace N3

INDICATIONS

- Hip replacement surgery
- Femoral acetabular Impingement (FAI)
- Hamstring repair
- Hip dislocation
- Gluteus medius repairs
- Hip labral repair and resection
- Hip capsulotomy
- Microfracture procedures

MODELS

Description	Part No.
SIMPLE Hip Brace N3	21003

SIZE

- Universal size



Hip

Compression Waist Belt with Contour Support Panel and Pulley Lace Tabs

Light-weight and Ergonomic Design

Enhanced Sliding Mechanism for Adjustable Height

Press the Button to Slide

Varus / Valgus Adjustment Providing Suitable Pressure

Precise ROM Protection

Trimable Straps with Alligator Tabs for Perfect Fit

Quick One-step-closure Buckles for Easy Use

SIMPLE WALKER B1

LIGHT WEIGHT • EASY FIT • MULTI-ADJUSTABILITY

INDICATIONS

- Soft tissue injuries
- Stable fracture of foot, ankle, or lower leg
- Severe ankle sprains and post-operative use
- Effective in fracture healing and the management of edema or swelling



MODELS

Description	Part No.
SIMPLE Walker B1, Tall	61003
SIMPLE Walker B1, Short	61004

SIZE

Size	Insole Length(cm)	Outsole Length(cm)	Men's Shoe Size US	Women's Shoe Size US	Shoe Size EU
XS	22	25	2-4	3.5-5.5	33 - 35.5
S	24.5	27.5	4.5-7	6-8	36 - 39
M	27.5	30.5	7.5-10.5	8.5-11.5	39.5 - 44
L	30.6	33	10.5-12.5	11.5-13.5	44.5 - 46.5
XL	34.5	37	12.5+	13.5+	47 - 50

SIMPLE WALKER B2

LIGHT WEIGHT • EASY FIT • MULTI-ADJUSTABILITY

FEATURES

- Tall/Short Air/Non-Air versions
- Low profile rocker sole
- Shock-absorbing technology
- High strength & light weight
- Mechanical strap locking system
- New generation air pump system

INDICATIONS

- Acute ankle Sprains
- Soft tissue injuries of the lower leg
- Stress fractures of the lower leg and ankle
- Stable fractures of the foot and ankle
- Stable delayed union or non-union fractures of the distal tibia and fibula, and achilles tendon repairs



PATENT INFORMATION

- Design Patent NO: ZL202030754647.X
- Utility Model Patent NO: ZL202023326075.9

MODELS

Description	Part No.
SIMPLE Walker B2, Tall, Air	61001
SIMPLE Walker B2, Short, Air	61002
SIMPLE Walker B2, Tall, Non-Air	61005
SIMPLE Walker B2, Short, Non-Air	61006

SIZE

Size	Insole Length(cm)	Outsole Length(cm)	Men's Shoe Size US	Women's Shoe Size US	Shoe Size EU
XS	22	25	2-4	3.5-5.5	33 - 35.5
S	24.5	27.5	4.5-7	6-8	36 - 39
M	27.5	30.5	7.5-10.5	8.5-11.5	39.5 - 44
L	30.6	33	10.5-12.5	11.5-13.5	44.5 - 46.5
XL	34.5	37	12.5+	13.5+	47 - 50

Ankle

Ankle



SIMPLE Air Heel A1

FEATURES

- Two interconnected aircells for compression & relief
- Breathable materials comfortable to wear

INDICATIONS

- Achilles tendonitis
- Acute and chronic Plantar fasciitis pain
- Heel pain caused by spurs
- Heel spurs

MODELS

Description	Part No.
SIMPLE Air Heel A1	62007

SIZE

- S, M, L

Measurement method		S	M	L
	Man's shoe	≤7" (≤18cm)	7.5-11" (18-28cm)	≥11.5" (≥28cm)
	Women's shoe	≤8.5" (≤22cm)	9-12.5" (22-32cm)	≥13" (≥32cm)



Ankle Brace A3

FEATURES

- Rigid shell, soft edging
- Two-way fixation to protect the ankle
- Balanced pressure, adjustable tightness, perfect fit
- Removable lining can be put in shoes
- Foam/airbladder padding, comfortable to wear

INDICATIONS

- Ligament and capsule injuries at the upper ankle joint
- Slight soft tissue injuries
- Chronic ankle instability
- Rehabilitation and prevention of ankle injuries
- Acute, chronic, and inflammatory edema

MODELS

Description	Part No.
Ankle Brace A3, Foam, Left	62009
Ankle Brace A3, Foam, Right	62010
Ankle Brace A3, Airbladder, Left	62011
Ankle Brace A3, Airbladder, Right	62012

SIZE

- S/M, L/XL

Measurement method		S/M	L/XL
	Man's shoe	6-10" (15-25.5cm)	≥10" (≥25.5cm)
	Women's shoe	7-11" (18-28cm)	≥11" (≥28cm)

Lace-up Ankle Brace A2

FEATURES

- Mesh fabric, great ventilation
- Better fitting, supportive, light weight
- Lace-up design, custom adjustable fastening
- Fits for right and left foot

INDICATIONS

- Mild to moderate ankle distortion
- Chronic ankle instability
- Prophylactic and therapeutic use in sport activities

MODELS

Description	Part No.
Lace-up Ankle Brace A2	62005

SIZE

- XS, S, M, L, XL, XXL

PATENT INFORMATION

- Utility Patent NO: ZL202121169237.4



Measurement method	XS	S	M
	4-6" (25-28cm)	6.5-8" (28-30cm)	8.5-10" (30-33cm)
	L	XL	XXL
	10.5-12" (33-35cm)	12.5-14" (35-38cm)	14"+ (38cm+)



Lace-up Ankle Brace A13

FEATURES

- Breathable and comfortable fabric
- Open and lightweight design
- Bilateral ergonomic plastic support for contoured ankle fit
- Micro-adjustment system for easy donning
- Universal design for left and right feet

INDICATIONS

- Ankle immobilisation.
- Moderate to severe ankle sprain.
- Joint laxity/chronic instability prevention during sport activities resumption.
- Sport activities resumption.
- Tendinopathy treatment.
- Conservative treatment of Achilles tendon injuries.

MODELS

Description	Part No.
Lace-up Ankle Brace A13	62034

SIZE

- XS, S, M, L

Measurement method	XS	S	M	L
	6.75-7.5" (16-19cm)	7.5-8.75" (19-22cm)	8.75-10.25" (22-26cm)	10.25-11.75" (26-30mm)

SIMPLE POST-OP ELBOW BRACE E1

LIGHT WEIGHT • EASY FIT • MULTI-ADJUSTABILITY

FEATURES

- Adjustable ROM control
- Telescoping lengths
- Trimmable straps
- Sliding Mechanism
- Quick lock system
- Hand Grip Optional

INDICATIONS

- Post-operative immobilization or ROM control for elbow
- Conservative treatment of elbow dislocation or luxation
- Stable or internally fixed fractures of the distal humerus or proximal radius or ulna



MODELS

Description	Part No.
SIMPLE Post-Op Elbow Brace E1, Left	41003
SIMPLE Post-Op Elbow Brace E1, Left-Hand Grip	41003
SIMPLE Post-Op Elbow Brace E1, Right	41004
SIMPLE Post-Op Elbow Brace E1, Right-Hand Grip	41004

SIZE

- Universal size

PATENT INFORMATION

- Utility Model Patent NO: 201921568231.7
- Utility Model Patent NO: 202121168827.5



Tennis Elbow Brace E2

FEATURES

- Adjustable
- Universal fit
- Comfortable

INDICATIONS

- Elbow protection from high-intensity exercises

MODELS

Description	Part No.
Tennis Elbow Brace E2	41009

SIZE

- Universal size



Arm Sling E3

FEATURES

- Comfortable and breathable materials
- Adjustable arm length for a personalized fit
- Convenient and easy buckle application
- Universal design

INDICATIONS

- For non-surgical or post-op support
- Mild strains and sprains of the shoulder, elbow and forearm
- Arthroscopic repair
- Shoulder injuries or instabilities

MODELS

Description	Part No.
Arm Sling E3	31002

SIZE

- Universal size



Multi-functional Arm Sling E4

FEATURES

- Open design, easy fit
- Comfortable, breathable
- Firm fixation, reinforced stability
- Stabilized for the top of the humerus fracture

INDICATIONS

- Shoulder contusion and strain
- Shoulder dislocation
- The stability of the top of the humerus fracture
- Fracture of the shoulder blade

MODELS

Description	Part No.
Multi-functional Arm Sling E4	31016

SIZE

- Universal size

Elbow

Elbow Shoulder

Arm Sling Shoulder Brace E5



FEATURES

- Fixation with shoulder abduction
- Easy fit, convenient adjust

INDICATIONS

- Deltoid muscle paralysis
- Supraspinous tendon rupture
- Shoulder joint fracture and dislocation reduction
- Shoulder joint surgery
- Brachial plexus injury

MODELS

Description	Part No.
Arm Sling Shoulder Brace E5	31001

SIZE

- Universal size

Shoulder Abduction Immobilizer E6



FEATURES

- Adjustable shoulder flexion and abduction angles.
- Adjustable arm lengths

INDICATIONS

- Post-operative fixation of shoulder joint
- Humeral fracture with radial nerve injury, deltoid muscle paralysis, supraspinatus tendon rupture
- Shoulder fracture, dislocation after repair, brachial plexus palsy or strain
- Acute periarthrosis of shoulder, suppurative arthritis of shoulder joint, tuberculosis of shoulder joint

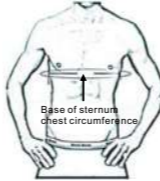
SIZE

- Universal size

MODELS

Description	Part No.
Shoulder Abduction Immobilizer E6	31004



Measurement method	S	M	L
	24-30" (61-76cm)	30-36" (76-91cm)	36-42" (91-107cm)

Clavicle Support E7

FEATURES

- 8-shaped design for shoulder posture correction
- Breathable, comfortable
- Easy fit, even force

INDICATIONS

- Correction of humpback
- Neck and shoulder soft tissue strain

MODELS

Description	Part No.
Clavicle Support E7	31019

SIZE

- S, M, L

Shoulder Brace E8



FEATURES

- Lightweight, foldable
- Easy to carry, easy to clean
- Comfortable elasticity

INDICATIONS

- Subluxation and fixation of shoulder joint
- Acute and chronic pain and inflammation
- Degeneration of shoulder joint

MODELS

Description	Part No.
Shoulder Brace E8 Left	31017
Shoulder Brace E8 Right	31018

SIZE

- Universal size

SIMPLE Shoulder Brace E13



FEATURES

- 15° external rotation adjustment pillows and a subtle 5° abduction adjustment
- Comfortable and breathable materials
- Adjustable arm length for a personalized fit
- Convenient and easy buckle application
- Universal design

INDICATIONS

- After rotator cuff repair
- Humeral head fractures (nonsurgical, postoperative)
- After insertion of shoulder prosthesis
- After stabilization of acromioclavicular joint dislocations
- After biceps tenodesis
- Impingement syndrome (nonsurgical, postoperative)

MODELS

Description	Part No.
SIMPLE Shoulder Brace E13	31013

SIZE

- Universal Size

SIMPLE Shoulder Brace E16



FEATURES

- 15° abduction adjustment pillow
- Comfortable and breathable materials
- Adjustable arm length for a personalized fit
- Convenient and easy buckle application
- Universal design

INDICATIONS

- After rotator cuff repair
- Humeral head fractures (nonsurgical, postoperative)
- After insertion of shoulder prosthesis
- After stabilization of acromioclavicular joint dislocations
- After biceps tenodesis
- Impingement syndrome (nonsurgical, postoperative)

MODELS

Description	Part No.
SIMPLE Shoulder Brace E16	31010

SIZE

- Universal size

SIMPLE Shoulder Brace E14



FEATURES

- 15°+15° external rotation adjustment pillows and a subtle 5° abduction adjustment
- Comfortable and breathable materials
- Adjustable arm length for a personalized fit
- Convenient and easy buckle application
- Universal design

INDICATIONS

- After rotator cuff repair
- Humeral head fractures (nonsurgical, postoperative)
- After insertion of shoulder prosthesis
- After stabilization of acromioclavicular joint dislocations
- After biceps tenodesis
- Impingement syndrome (nonsurgical, postoperative)

MODELS

Description	Part No.
SIMPLE Shoulder Brace E14	31014

SIZE

- Universal size

SIMPLE Shoulder Brace E17



FEATURES

- 15° + 15° abduction adjustment pillows
- Comfortable and breathable materials
- Adjustable arm length for a personalized fit
- Convenient and easy buckle application
- Universal design

INDICATIONS

- After rotator cuff repair
- Humeral head fractures (nonsurgical, postoperative)
- After insertion of shoulder prosthesis
- After stabilization of acromioclavicular joint dislocations
- After biceps tenodesis
- Impingement syndrome (nonsurgical, postoperative)

MODELS

Description	Part No.
SIMPLE Shoulder Brace E17	31011

SIZE

- Universal size

SIMPLE Shoulder Brace E15



FEATURES

- 15°+30° external rotation adjustment pillows and a subtle 5° abduction adjustment
- Comfortable and breathable materials
- Adjustable arm length for a personalized fit
- Convenient and easy buckle application
- Universal design

INDICATIONS

- After rotator cuff repair
- Humeral head fractures (nonsurgical, postoperative)
- After insertion of shoulder prosthesis
- After stabilization of acromioclavicular joint dislocations
- After biceps tenodesis
- Impingement syndrome (nonsurgical, postoperative)

MODELS

Description	Part No.
SIMPLE Shoulder Brace E15	31015

SIZE

- Universal size

SIMPLE Shoulder Brace E18



FEATURES

- 15° + 30° abduction adjustment pillows
- Comfortable and breathable materials
- Adjustable arm length for a personalized fit
- Convenient and easy buckle application
- Universal design

INDICATIONS

- After rotator cuff repair
- Humeral head fractures (nonsurgical, postoperative)
- After insertion of shoulder prosthesis
- After stabilization of acromioclavicular joint dislocations
- After biceps tenodesis
- Impingement syndrome (nonsurgical, postoperative)

MODELS

Description	Part No.
SIMPLE Shoulder Brace E18	31012

SIZE

- Universal size

Shoulder

Shoulder

SIMPLE Thumb Brace W1

FEATURES

- Breathable, comfortable
- Light weight, max support
- Adjustable straps, custom fit, extended wear
- One Size fits all

INDICATIONS

- Mild to moderate thumb joint sprains and strains, postoperative healing and other soft tissue injuries

MODELS

Description	Part No.
SIMPLE Thumb Brace W1	31901

SIZE

- Universal size

SIMPLE Thumb Brace W4

FEATURES

- Breathable and comfortable fabric
- Lightweight design
- Aluminum alloy support for stable wearing
- Quick lacing system for easy donning
- Contoured to fit the wrist and palm
- Thumb-friendly fixation

INDICATIONS

- Non surgical scaphoid fracture.
- Non surgical wrist fracture.
- Post-operative or post-traumatic wrist/thumb immobilisation.
- Wrist and/or thumb tendinopathies.
- De Quervain tenosynovitis.
- Rheumatoid arthritis.
- Conservative treatment of carpal tunnel syndrome.
- Thumb/wrist osteoarthritis.
- Neuro-muscular impairments (contracture, hand drop or spasticity...)

SIZE

- XS, S, M, L, XL



Measurement method	XS	S	L
	4-5" (11-13cm)	5-6.7" (13-17cm)	6.7-9.05" (17-23cm)

SIMPLE Wrist Brace W2

FEATURES

- Reinforced support
- Elastic adjustable fit
- Open design, light weight, easy use
- Breathable, comfortable

INDICATIONS

- Wrist ligament strain
- Dislocation of the wrist
- Wrist joint injury and fracture
- Postoperative wrist fixation
- Postoperative wrist recovery

MODELS

Description	Part No.
SIMPLE Wrist Brace W2, Left	42003
SIMPLE Wrist Brace W2, Right	42004

SIZE

- S/M, L/XL

SIMPLE Wrist Brace W3

FEATURES

- Breathable and comfortable fabric
- Lightweight design
- Aluminum alloy support for stable wearing
- Quick lacing system for easy donning
- Contoured to fit the wrist and palm
- Universal design for left and right hands

INDICATIONS

- Wrist sprain.
- Non surgical wrist fracture.
- Post-operative or post-traumatic wrist immobilisation.
- Wrist tendinopathies.
- Conservative treatment of carpal tunnel syndrome.
- Lateral epicondylitis.
- Rheumatoid arthritis.
- Wrist osteoarthritis

MODELS

Description	Part No.
SIMPLE Wrist Brace W3	42001

SIZE

- XS, S, L



Measurement method	XS	S	L
	4-5" (11-13cm)	5-6.7" (13-17cm)	6.7-9.05" (17-23cm)

Thumb

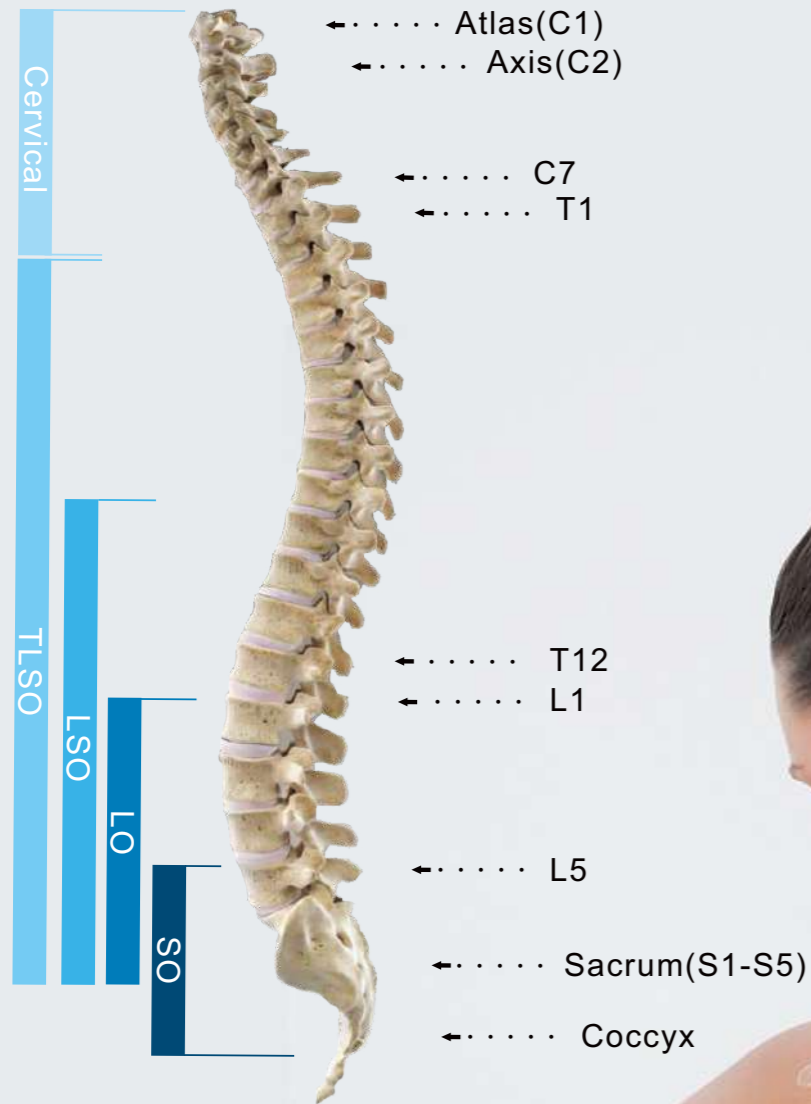
Wrist



Measurement method	XS	S	M	L	XL
	4-5" (11-13cm)	5-6" (13-15.3cm)	6-7" (15.3-18cm)	7-8" (18-20.3cm)	8-9" (20.3-23cm)

MODELS

Description	Part No.
SIMPLE Thumb Brace W4, Left	31903
SIMPLE Thumb Brace W4, Right	31904



SIMPLE C1



FEATURES

- Quick and easy application
- Breathable and comfortable wear
- Adjustable sizing with velcro strap on each side

INDICATIONS

- Cervical trauma / postoperative fixation
- Cervical degenerative disease
- Stable cervical spine fracture
- Conservative treatment for cervical subluxation

MODELS

Description	Part No.
SIMPLE C1	51002

SIZE

- S, M, L

SIMPLE LO 106



FEATURES

- Comfortable and breathable wearing
- High elasticity material providing great compression
- Formable metal for stable dorsal-lumbar support
- Adjustable sizing with velcro closure

INDICATIONS

- Postoperative discectomy / fusion IDET procedures
- Management of low back pain / strain
- Lumbar disc injury
- Compression fractures
- Osteoporosis-related conditions
- Disc herniation and degeneration
- Spondylolisthesis

MODELS

Description	Part No.
SIMPLE LO 106	52008

SIZE

- S, M, L, XL, XXL, XXXL

Measurement method	S	M	L
	20.4-24.4" (52-62cm)	24.4-29.1" (63-74cm)	29.1-35" (75-89cm)
	XL	XXL	XXXL
	35-41.3" (90-105cm)	41.3-47.2" (106-120cm)	47.2-55.1" (121-140cm)

SIMPLE LO 108



FEATURES

- Double independent pulley system
- Adjustable pull lace with handle
- Low profile anterior panel
- Multi-fit sizing options
- Breathable and comfortable material

INDICATIONS

- Lumbar mechanical back pain
- Spinal stenosis
- The disc herniation and degeneration
- Spondylolysis
- Spondylolisthesis
- Trauma
- Bulging disc
- Facet syndrome

MODELS

Description	Part No.
SIMPLE LO 108	52002

SIZE

- Universal size

SIMPLE LSO 200

FEATURES

- Double independent pulley system
- Adjustable pull lace with handle
- Contoured padded panels
- Multi-fit sizing options
- Breathable and comfortable material

INDICATIONS

- IDET procedures
- Low back pain/strain
- Lumbar disc injury
- Compression fractures
- Osteoporosis
- Disc herniation and degeneration
- Spondylolisthesis

MODELS

Description	Part No.
SIMPLE LSO 200	52009

SIZE

- Universal size



SIMPLE LSO 208

FEATURES

- Double independent pulley system
- Adjustable pull lace with handle
- Profiling filling panel
- Adjustable pull lace with handle
- Multi-fit sizing options
- Breathable and comfortable material

INDICATIONS

- Post operative discectomy/fusion
- IDET procedures
- Low back pain/strain
- Lumbar disc injury
- Compression fractures
- Osteoporosis
- Disc herniation and degeneration
- Spondylolisthesis

MODELS

Description	Part No.
SIMPLE LSO 208	52006

SIZE

- Universal size



SIMPLE TLSO 300

FEATURES

- Double independent pulley system
- Contoured padded panels
- Adjustable pull lace with handle
- Breathable and comfortable material

INDICATIONS

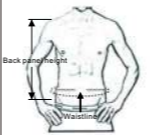
- Chronic & mechanical low back pain
- Facet syndrome
- Post-operative stabilization protocol following: laminotomy, faraminotomy, IDET procedures, anterior laparoscopic fusion, posterior lateral fusion, and multi-level decompression

MODELS

Description	Part No.
SIMPLE TLSO 300	52004

SIZE

- S, M, L, XL

Measurement method		S	M	L	XL
	Waist circumference	30-35" (75-90cm)	35-40" (90-102cm)	40-45" (102-115cm)	45-50" (115-127cm)
	Back panel height	17" (43.18cm)	17" (43.18cm)	19" (48.26cm)	19" (48.26cm)

SIMPLE TLSO 302

FEATURES

- Double independent pulley system
- Soft padded shoulder straps
- Tool-free linear thoracic adjustment
- Extendable posterior panel
- Removable anterior panel
- Maximum comfort and support
- One size fits all

INDICATIONS

- Chronic & mechanical low back pain
- Facet syndrome
- Post-operative stabilization protocol following: laminotomy, foraminotomy, IDET procedures, anterior laparoscopic fusion, posterior lateral fusion, and multi-level decompression

MODELS

Description	Part No.
SIMPLE TLSO 302	51302

SIZE

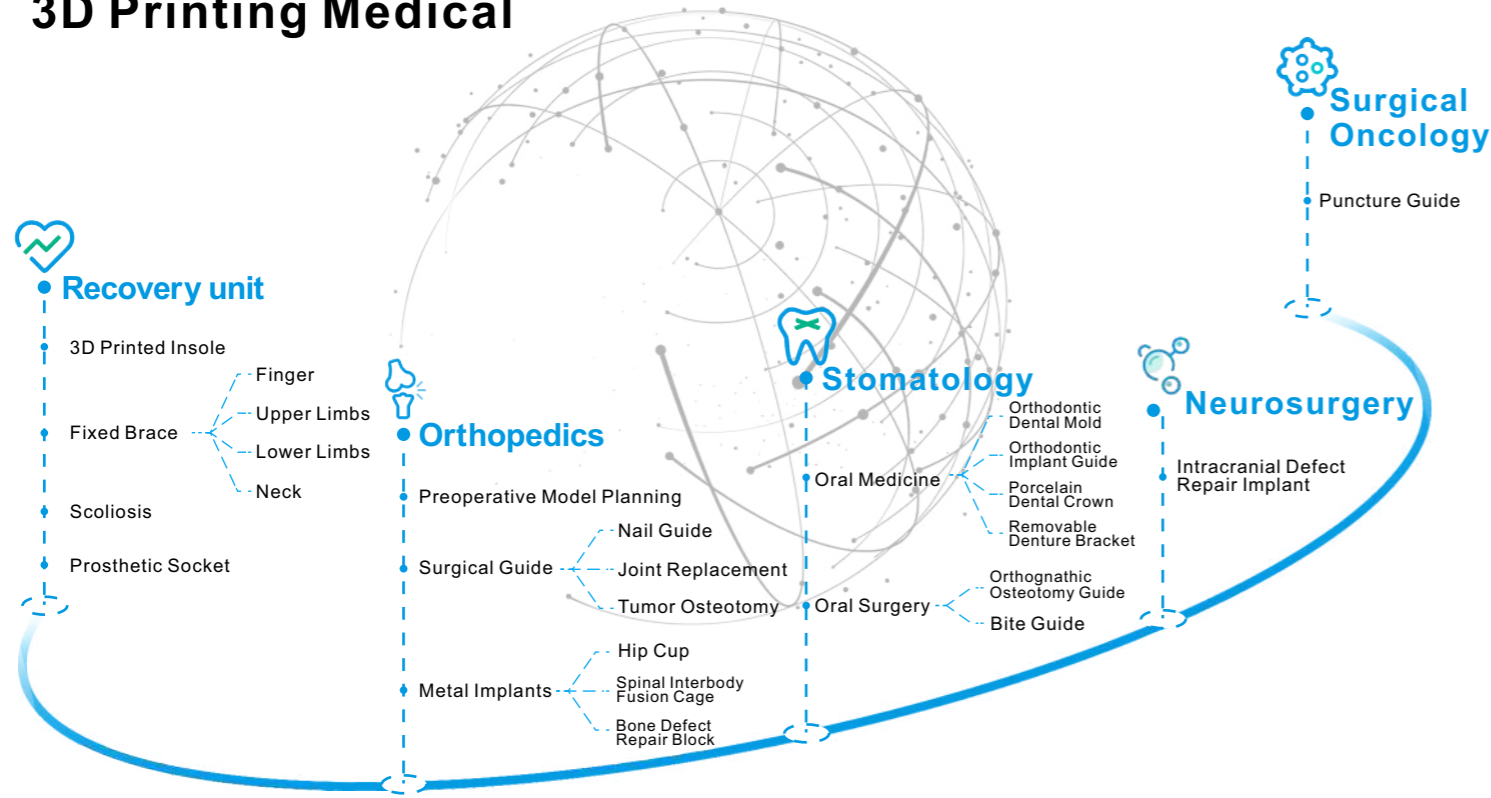
- Universal size



Spine

Spine

3D Printing Medical



3D printing technology can truly realize personalized manufacturing according to the characteristics and requirements of patients, and become a powerful means to assist precision medicine.

With the advancement of 3D printing technology, it has been widely used and clinically practiced in the medical field, especially in medical fields such as scoliosis, joint fixation brace customization, and surgical guides. This allows more patients to receive effective treatment and rehabilitation assistance.



SIMPLE 3D Scanning APP



Foot Scanner DSC01B



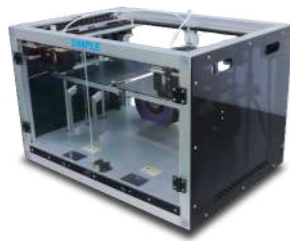
Foot Scanner DSC02B



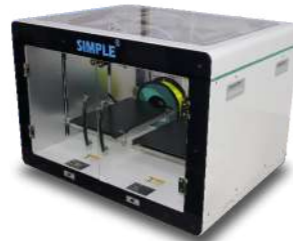
Foot Scanner DSC03B



FDM 6060 3D Printer



FDM 3218B 3D Insole Printer



FDM 3017B 3D Insole Printer



SLA 6060 3D Printer



3D PRINTED INSOLE BF1

FEATURES

- Lighten the load
- Comfortable and breathable
- 3D printing

INDICATIONS

- Heel pain, plantar fasciitis
- Feet Pain
- Flat feet, high arches, Achilles tendinitis
- Tibia Pain
- Knee pain and soreness

MODELS

Description	Part No.
SIMPLE 3D Printed Insole	61009

SIZE

- Customized size



3D PRINTED BRACE LD1

FEATURES

- High strength, Lightweight
- Comfortable and breathable
- 3D printing

INDICATIONS

- Suitable for correcting patients with idiopathic scoliosis whose Cobb angle is less than 50° below T6 of the top vertebra of scoliosis
- Conservative treatment of other patients with scoliosis

MODELS

Description	Part No.
SIMPLE 3D Printed Scoliosis	52011

SIZE

- Customized size



3D PRINTED BRACE LD4

FEATURES

- Breathable design
- Customization for perfect fit
- Adjustable elastic for easy and comfortable wearing

INDICATIONS

- External fixation or support of the sacral part of the human body
- Stabilize the pelvis, with good fixation and protection

MODELS

Description	Part No.
SIMPLE 3D Printed Scoliosis	72001

SIZE

- Customized size

3D

3D